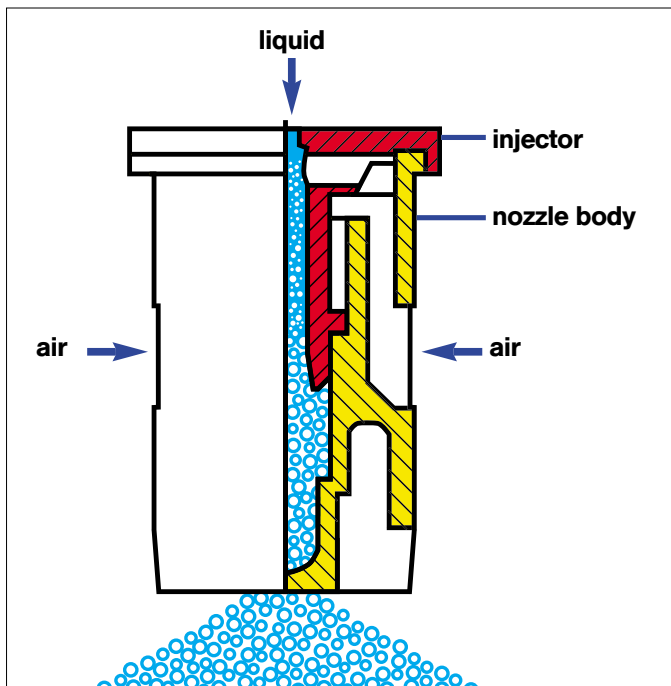
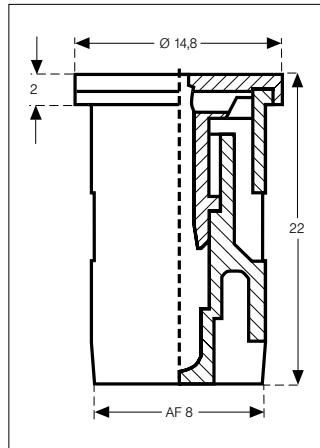




## Air – injector compact tips IDK



### Features

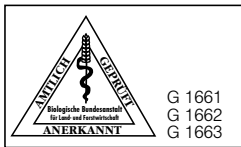
- Air-aspirating flat-spray tip with spray angle 120°
- Material: POM
- Pressure range:
  - 1.5 to 6 bar for sizes 01 through 03
  - 1.0 to 6 bar for sizes 04/05
- Extremely low drift potential and loss-reducing effect in pressure range up to 3 bar (according to size)
- At pressures above 3 bar, less drift resistance than other well-known ID nozzles, i.e., coarse to medium droplet size characteristic
- Very compact design (8 mm width across flats, 22 mm long)
- Satisfies BBA and EN specifications
- BBA loss-reducing approved

### Range of application

- Application of plant protectants and growth regulators
- Well-suited for spreading liquid fertilizer (UAN); pressure range for pure UAN: 1.0 – 2.5 bar

### Main benefits of IDK nozzles



- Inexpensive alternative to conventional standard-type nozzles
- Easy installation, fits in all bayonet caps with 8 mm width across flats
- Drift reduction 90/75/50 %
- One-piece nozzle with reproducibly fixed-position injector for toolless removal
- Hard-wearing and non-clogging thanks to lateral air-aspirating channels of ample size
- Very good deposition structure and canopy penetration



**Lechler GmbH**  
**Agricultural Nozzles and Accessories**  
**P.O. Box 13 23**  
**72544 Metzingen / Germany**  
**Telefon + 49 (0) 71 23 9 62 - 0**  
**Telefax + 49 (0) 71 23 9 62 - 4 80**

**E-Mail: [info@lechler.de](mailto:info@lechler.de)**  
**Internet: [www.lechler-agri.com](http://www.lechler-agri.com)**

## Spray table for air-injector compact tips IDK

 <b>IDK</b> <b>90-01</b> <b>120-01</b> <b>(60 M)</b>	 <b>[bar]</b>	<b>l/min</b>	<b>l/ha</b>								
			<b>5.0</b> <b>km/h</b>	<b>6.0</b> <b>km/h</b>	<b>7.0</b> <b>km/h</b>	<b>8.0</b> <b>km/h</b>	<b>10.0</b> <b>km/h</b>	<b>12.0</b> <b>km/h</b>	<b>14.0</b> <b>km/h</b>	<b>16.0</b> <b>km/h</b>	<b>18.0</b> <b>km/h</b>
<b>IDK 90-01 120-01 (60 M)</b>	3.0	0.39	94	78	67	59	47	39	33	29	27
	4.0	0.45	108	90	77	68	54	45	39	34	30
	5.0	0.51	121	102	87	77	61	51	44	38	34
	6.0	0.57	137	114	98	86	68	57	49	43	38
	7.0	0.61	146	122	105	92	73	61	52	46	41
8.0	0.65	156	130	111	98	78	65	56	49	43	
<b>IDK 120-015 (80 M)</b>	1.5	0.42	101	84	72	63	50	42	36	32	28
	2.0	0.48	115	96	82	72	58	48	41	36	32
	2.5	0.54	130	108	93	81	65	54	46	41	36
	3.0	0.59	142	118	101	89	71	59	51	44	39
	3.5	0.63	151	126	108	95	76	63	54	47	42
	4.0	0.68	163	136	117	102	82	68	58	51	45
	4.5	0.72	173	144	123	108	86	72	62	54	48
5.0	0.76	182	152	130	114	91	76	65	57	51	
6.0	0.83	199	166	142	125	100	83	71	62	55	
<b>IDK 120-02 (60 M)</b>	1.5	0.56	134	112	96	84	67	56	48	42	37
	2.0	0.65	156	130	111	98	78	65	56	49	43
	2.5	0.73	175	146	125	110	88	73	63	55	49
	3.0	0.80	192	160	137	120	96	80	69	60	53
	3.5	0.86	206	172	147	129	103	86	74	65	57
	4.0	0.92	221	184	158	138	110	92	79	69	61
	4.5	0.98	235	196	168	147	118	98	84	74	65
5.0	1.03	247	206	177	155	124	103	88	77	69	
6.0	1.13	271	226	194	170	136	113	97	85	75	
<b>IDK 120-025 (60 M)</b>	1.5	0.70	168	140	120	105	84	70	60	53	47
	2.0	0.81	194	162	139	122	97	81	69	61	54
	2.5	0.91	218	182	156	137	109	91	78	68	61
	3.0	0.99	238	198	170	149	119	99	85	74	66
	3.5	1.07	257	214	183	161	128	107	92	80	71
	4.0	1.15	276	230	197	173	138	115	99	86	77
	4.5	1.22	293	244	209	183	146	122	105	92	81
5.0	1.28	307	256	219	192	154	128	110	96	85	
6.0	1.40	336	280	240	210	168	140	120	105	93	
<b>IDK 120-03 (60 M)</b>	1.5	0.84	202	168	144	126	101	84	72	63	56
	2.0	0.97	233	194	166	146	116	97	83	73	65
	2.5	1.08	259	216	185	162	130	108	93	81	72
	3.0	1.19	286	238	204	179	143	119	102	89	79
	3.5	1.28	307	256	219	192	154	128	110	96	85
	4.0	1.37	329	274	235	206	164	137	117	103	91
	4.5	1.46	350	292	250	219	175	146	125	110	97
5.0	1.53	367	306	262	230	184	153	131	115	102	
6.0	1.68	403	336	288	252	202	168	144	126	112	
<b>IDK 120-04 (60 M)</b>	1.0	0.91	218	182	156	137	109	91	78	68	61
	1.5	1.12	269	224	192	168	134	112	96	84	75
	2.0	1.29	310	258	221	194	155	129	111	97	86
	2.5	1.44	346	288	247	216	173	144	123	108	96
	3.0	1.58	379	316	271	237	190	158	135	119	105
	3.5	1.71	410	342	293	257	205	171	147	128	114
	4.0	1.82	437	364	312	273	218	182	156	137	121
	4.5	1.94	466	388	333	291	233	194	166	146	129
5.0	2.04	490	408	350	306	245	204	175	153	136	
6.0	2.23	535	446	382	335	268	223	191	167	149	
<b>IDK 120-05 (60/25 M)</b>	1.0	1.14	274	228	195	171	137	114	98	86	76
	1.5	1.39	334	278	238	209	167	139	119	104	93
	2.0	1.61	386	322	276	242	193	161	138	121	107
	2.5	1.80	432	360	309	270	216	180	154	135	120
	3.0	1.97	473	394	338	296	236	197	169	148	131
	3.5	2.13	511	426	365	320	256	213	183	160	142
	4.0	2.28	547	456	391	342	274	228	195	171	152
	4.5	2.42	581	484	415	363	290	242	207	182	161
5.0	2.55	612	510	437	383	306	255	219	191	170	
6.0	2.79	670	558	478	419	335	279	239	209	186	

- The stated flow rates apply to water
- Spray pressure at the nozzle tip
- Prior to each spraying season, verify the table data by gauging the flow rates
- Make sure that all nozzles have the same settings

### Sample order

Type + spray angle + int'l tip size = order number  
 IDK 120° 015 = IDK 120-015